



ESTONIAN DEFENCE LEAGUE CYBER DEFENCE UNIT (CDU)

Hindrek Lootus

Member of the Board of CDU

(volunteer)

3rd Ltn (R)

MSc (Chemical Engineering)

MA (Political Science)

2019-05-20





Estonian Defence League



- Voluntary paramilitary organization
- Part of National Defence
- Weapons & equipment kept at members homes
- Light infantry units
 - + capability multipliers
 - + supportive units

EDL

ca 27 000 members
2% of population
(3,4% of age group 20...64)

CDU

EDF



Estonian Defence League Act

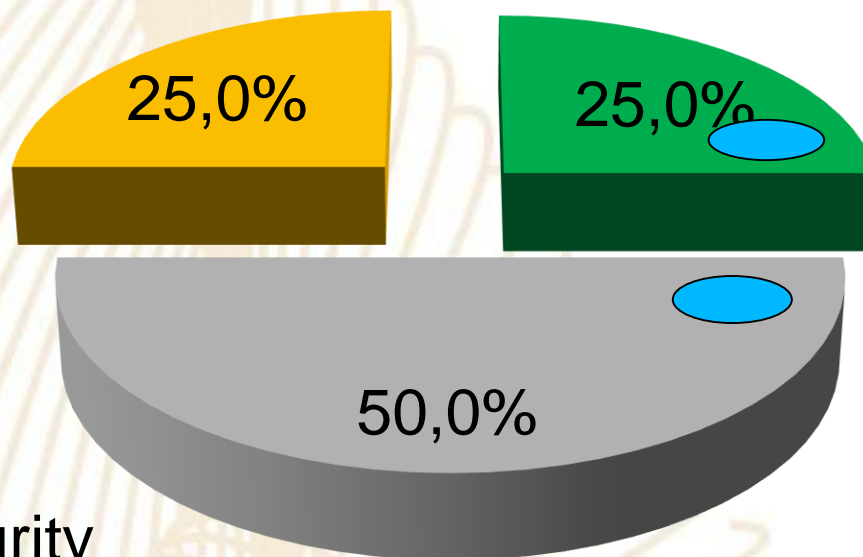
(<https://www.riigiteataja.ee/en/eli/530062016007/consolide>)

§ 2. Concept and purpose of Defence League

(1) The Defence League is a **voluntary national defence organisation** operating in the area of government of the Estonian Ministry of Defence which is organised in accordance with military principles, possesses weapons and holds exercises of a military nature.



Tasks of Defence League



- Military Defence
- Reserve for Internal Security
- Civil Support (Logistics)
- Cyber Defence



Tasks of Defence League



Abroad Missions:
ESTRIF (in past)



CIMIC



Cyber Defence



Support to Police



Military training



Educating the youth

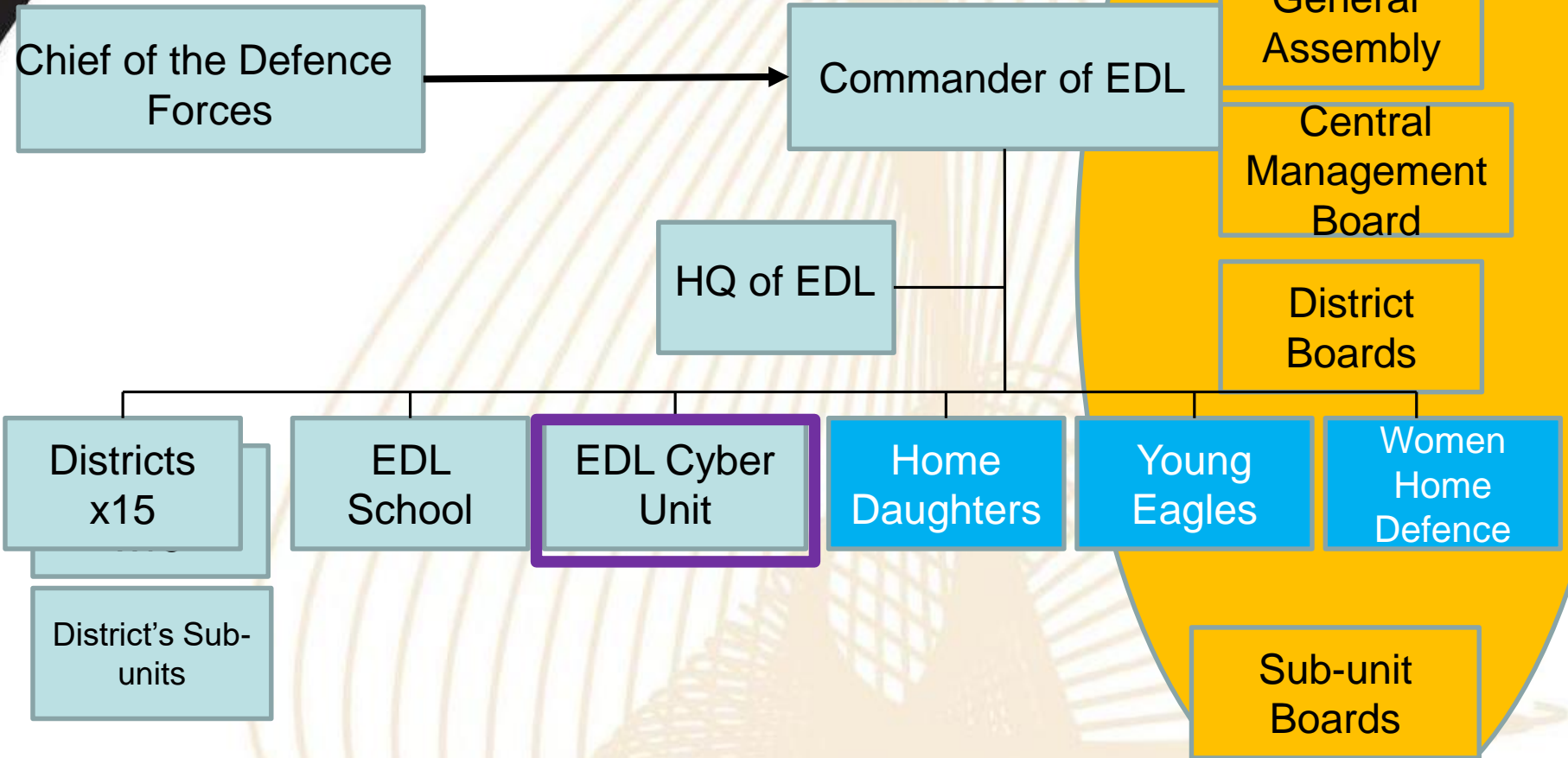


Support to Resque Board



Structure of EDL

Military tasks
(based on Wartime Structure)
Training requirements,
equipment and weaponry





Estonian Defence League Act

§ 4. Tasks of Defence League

(2) The Defence League may also be invited to participate where necessary:

4) in ensuring cyber security under the direction of a **competent authority**;



Cyber Security in Estonia: Domains & Institutions

Military



Ministry of
Defence



Defence
Forces

- Mil CIRC



Defence
League



- CDU



VÄLISLUUREAMET
Estonian Foreign Intelligence Service

Foreign Intelligence
Service

Economy & Services



Ministry of
Economic Affairs &
Communications



Information
Systems
Authority
(RIA)

CERT.ee
gov.CERT

Internet
Service
Providers



Vital
Service
Providers



Internal Security



Ministry of
Justice



Prosecutor's
Office



Ministry of
Interior



Internal
Security
Service
(KAPO)



Police &
Border
Guard

Science & education



Tallinn
Technical
University



Estonian
IT-College



International
Centre of
Defence
Studies



CCDCOE



Volunteers for Security ?

1. Responsive activities (Legal side !)

- a) „Raise Shields“ - Passive protection
- b) „Raise Sword“ - Using force or offensive activities ?

2. Supportive activities

- a) Logistics support (Expences !)
- b) Monitoring and discovery of incidents
- c) Situation awareness - OSINT

3. Preventive activities

- a) Security awareness events
- b) Evaluatings and giving advice
- c) Exercises





Symbolics



KÜBERKAITSELIIT
ESTONIAN CYBER DEFENCE LEAGUE





Lines of Operation for CDU

Protecting e-Lifestyle
in Estonia

Civil Protection

Smartly and
securely
behaving
computer users

**Supporting ICT Security of
Vital Service Providers**

CDU is capable
to form and
send CPT
teams in case
of cyber
emergency

Supporting Military ICT Security

Supporting Strategic Communication

Smart &
critically thinking
population



Propastop is a blog aimed at cleaning Estonia from propaganda, false information and media lie. The blog is run by volunteers. [Read more!](#)

+ Most read posts

+ Categories

+ Tags

+ Archive

Report propaganda

 Report

“Honestly, we are not going to attack Russia!”

Estonia has become known in the world as being a forefront country in a potential Western-Russian conflict. Whether and how to change this image, or how could this be put to better use?



Who is arriving: NATO or the allied forces

Media describing allies as ‘NATO troops, arriving to Russian borders’ is worrying for Propastop. This language use resembles Kremlin’s propaganda vocabulary.



Propaganda dictionary: name calling

Labelling or name calling is a commonly used technique in propaganda. It neutralises the target or the communication party’s arguments with a single phrase or sentence.





Conclusions



1. CDU is a Network --> Collective Brain Force

- for skills development
- for cyber defence concepts development
- for raising security awareness

2. CDU is voluntary reserve unit

- for Civil sector - CERT.ee
- for Military sector - CIRC

3. CDU is test ground

for various defence methods and tools,
organisation, ideas and exercises.